

# FARMALL JX WITH LOADER

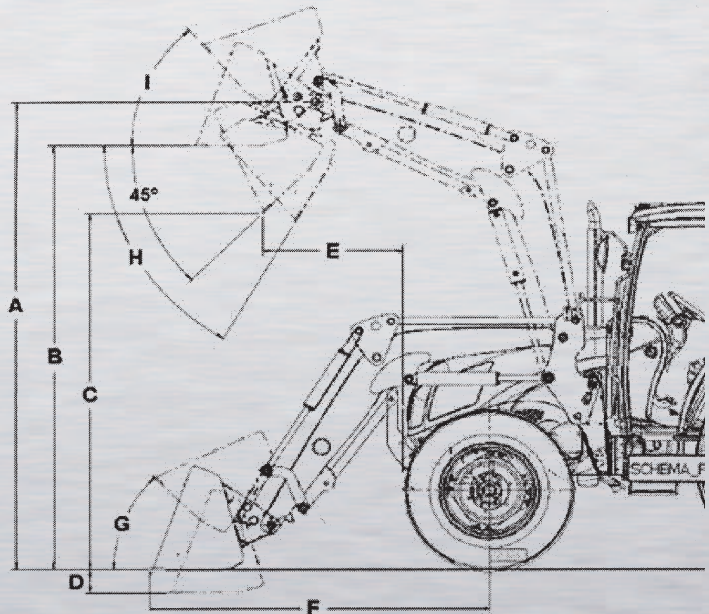


## SPECIFICATIONS 72" BUCKET

## NON-SELF LEVELING

## MECHANICAL SELF LEVELING

A	Maximum lift height at pivot pin (mm/in)	3430	3430
B	Maximum lift height under bucket in level position (mm/in)	3149	3149
C	Dump clearance (mm/in) at 60° (mm/in)	2597/102	2597/102
D	Digging depth (mm/in)	162/6.4	162/6.4
E	Reach at maximum lift at 45° (mm/in)	958/37.7	958/37.7
	Reach at maximum lift at 60° (mm/in)	727/28.6	727/28.6
F	Reach at ground level (mm/in)	2263/89	2263/89
G	Bucket rollback angle	45°	45°
H	Bucket dump angle	60	60
I	Bucket rollback force at maximum height (kg)	2462	2462
	Bucket struck capacity (m <sup>3</sup> )	0.454	0.454
	Bucket heaped capacity (m <sup>3</sup> )	0.584	0.584
	Bucket weight (kg)	183	183
	Lift capacity maximum height at pivot pins (kg/lbs)	2075/4574	2250/4960
	Lift capacity maximum height at 800 mm (kg/lbs)	1315/2899	1710/3770
	Boom breakout force at pivot pins (kg)	3087	3257
	Boom breakout force at 800 mm (kg)	2098	2768
	Bucket rollback force at maximum height (kg)	2462	2934
	Bucket rollback force at ground level (kg)	3823	4393



**NOTE:** Specifications may vary, confirm with your dealer.